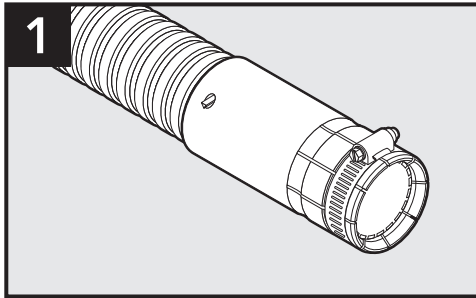
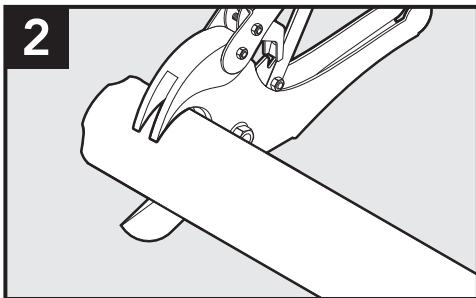


PowerGuard Flex Adapter

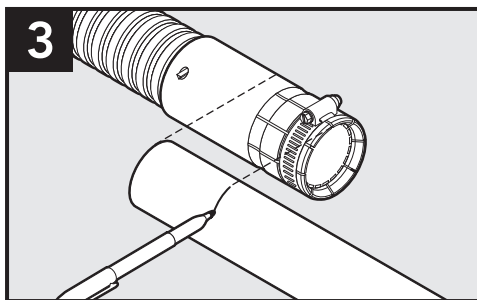
Installation Instructions



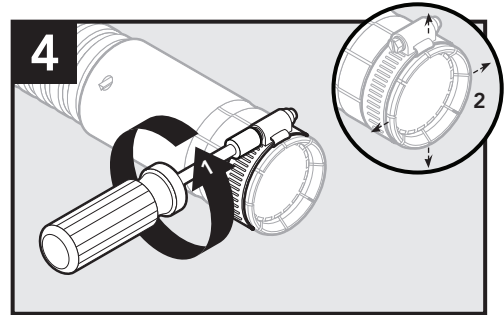
Use the PowerGuard Flex Coupler directions to properly install the corrugated pipe on the key lock side of the adapter.



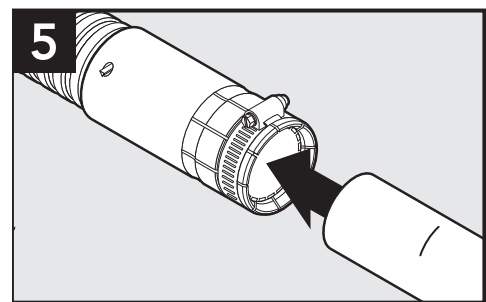
For the alternative conduit side, ensure your product has a clean, perpendicular cut.



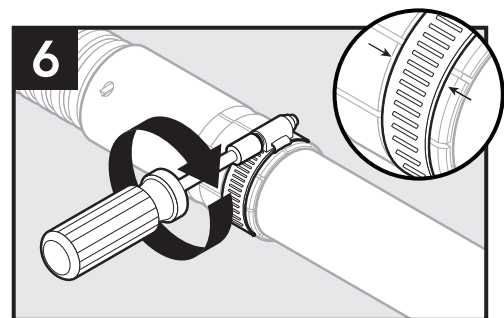
Overlap ends of conduit. Place duct at center of coupler and mark at the end.



Loosen the band clamp to allow spreading of the split segments on the end of the coupler during insertion.



Push conduit into the coupler past the grip ring and O-ring until the mark is aligned with the end of the coupler. This ensures the O-ring is seated properly.



Verify the band clamp is positioned in the groove. Hand-tighten using screwdriver or nut driver until snug. Do not over-tighten to avoid damaging the clamp.



An Orbia Connectivity Solutions business.

(705) 646-5589 _ www.duraline-canada.com