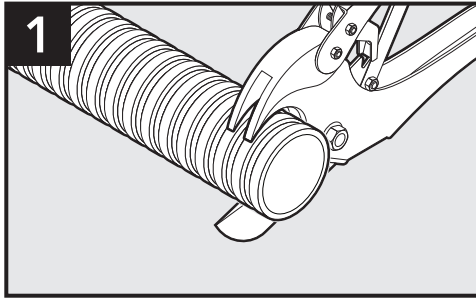
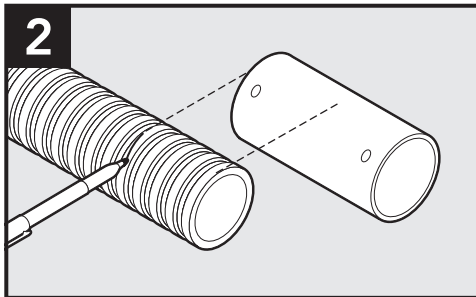


Smooth-Cor Flex Coupler

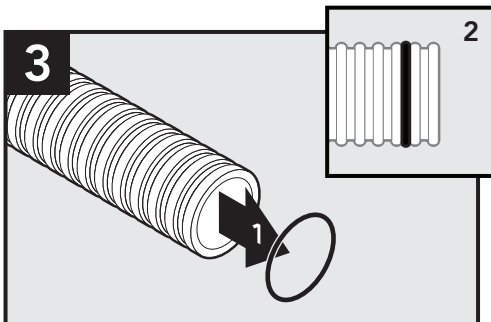
Installation Instructions



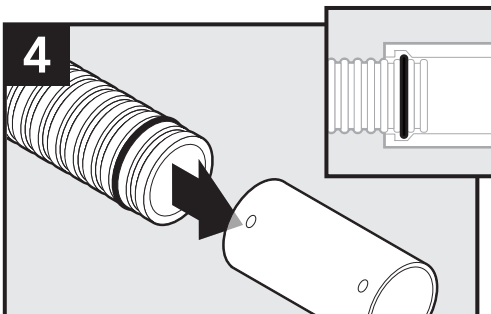
Ensure your conduit has a clean, perpendicular cut. Cut the duct in the valley of the corrugation to ensure proper alignment.



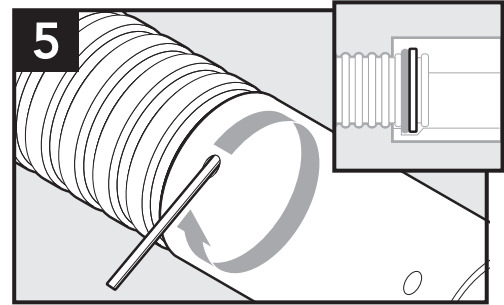
Overlap ends of conduit. Place duct at center of coupler and mark at the end.



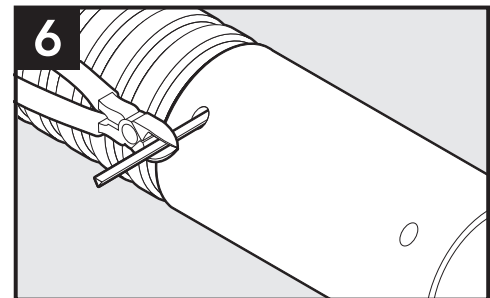
Take one duct and install O-ring gasket. The interior of the O-ring has a high profile that snaps into place. Ensure it is seated in the second corrugation.



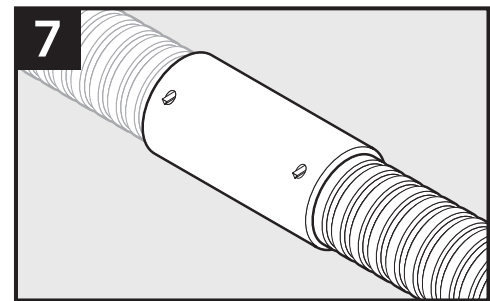
Insert the gasketed end of the conduit into coupler. The lock ring on the inside surface of the coupler should snap into a matching corrugation. A light coating of water-based lubricant should be used to aid in installation.



Following the arrow shape, insert the key-lock strip into the pre-drilled hole. Push around the entire circumference, locking the corrugated grooves and coupler securely together. A water-based lubricant can aid in installation.



Trim excess key-lock strip material.



Repeat steps 1-6 for the opposite end of the coupler and corrugated conduit.



An Orbia Connectivity Solutions business.

(800) 847-7661 | www.duraline.com