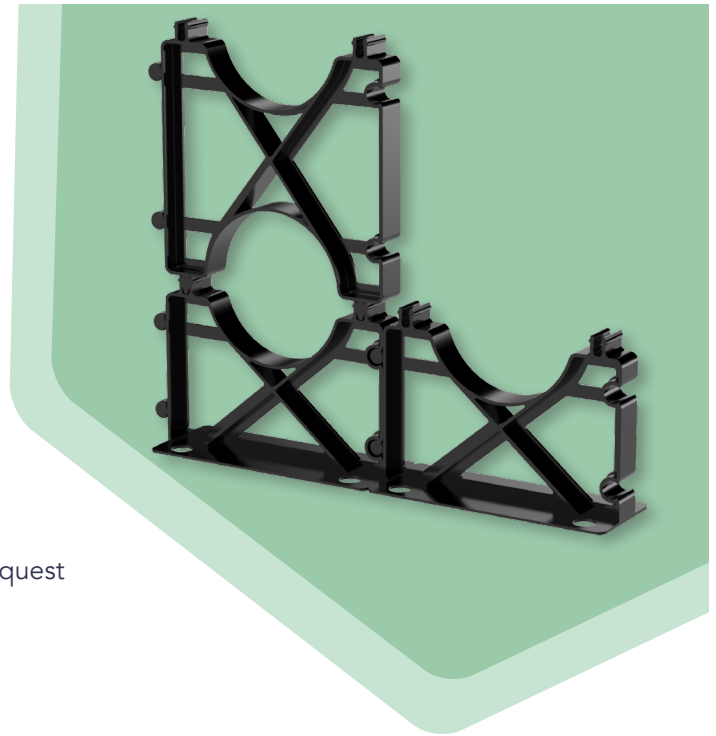


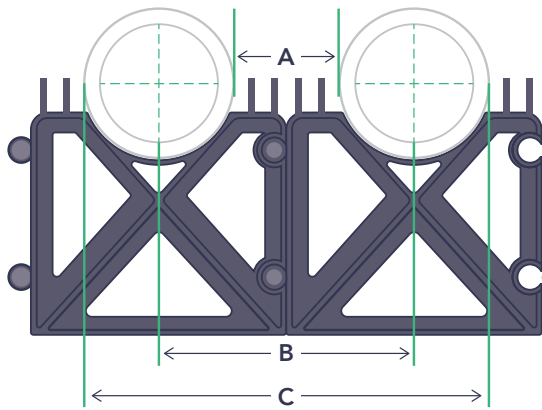
STANDARD ACCESSORIES

# DUCT SPACERS

- ▶ Used to support duct arrays within trenches
- ▶ Available in intermediate and base configurations that snap into place
- ▶ Made from high-impact polymers
- ▶ Interlock vertically and horizontally
- ▶ Lightweight for easy transport and assembly
- ▶ Can be direct buried
- ▶ Made from recycled materials and are recyclable
- ▶ Available in additional sizes and configurations upon request
- ▶ Packaging UOM is Each for all products listed below



TECHNICAL SPECIFICATIONS



- A: Between Conduit (IN)
- B: Center to Center of Conduit (IN)
- C: Outside to Outside of Conduit (IN)

DESCRIPTION	DUCT NOMINAL OD (IN)	SPACER H X W (IN)	A (IN)	B (IN)	C (IN)	PART #
2" Base with 2" separation	2.375	3.65 x 4.50	4.50	2	7.00	20094981
2" Intermediate with 2" separation	2.375	4.46 x 4.50	4.50	2	6.83	20094982
3" Base with 2" separation	3.500	4.17 x 5.62	5.62	2	9.37	20094983
3" Intermediate with 2" separation	3.500	5.60 x 5.60	5.60	2	9.25	20094984
4" Base with 1" separation	4.500	3.40 x 5.62	5.62	1	10.20	20095975
4" Intermediate with 1" separation	4.500	5.62 x 5.62	5.60	1	10.25	20095976
4" Base with 2" separation	4.500	4.66 x 6.62	6.65	2	11.20	20094985
4" Intermediate with 2" separation	4.500	6.62 x 6.62	6.62	2	11.25	20094986
4" Base with 3" separation	4.500	4.67 x 7.61	7.60	3	12.15	20095977
4" Intermediate with 3" separation	4.500	7.64 x 7.63	6.60	3	10.25	20095978
6" Base with 2" separation	6.625	5.72 x 8.71	8.71	2	15.50	20095785
6" Intermediate with 2" separation	6.625	8.72 x 8.71	8.71	2	15.00	20095787